

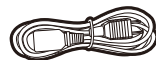
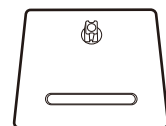
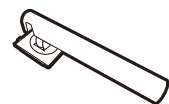
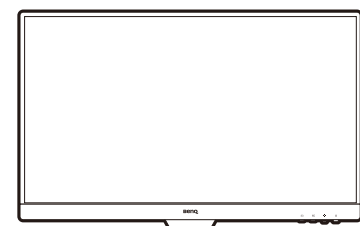


# LCD Monitor Quick Start Guide

Stylish Monitor with Eye Care Technology | G Series

DN: G90T-EQ-V0

© 2024 BenQ Corporation. All rights reserved. Rights of modification reserved.



Quick start guide



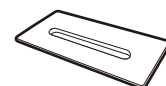
Safety instructions



Regulatory statements



HDMI



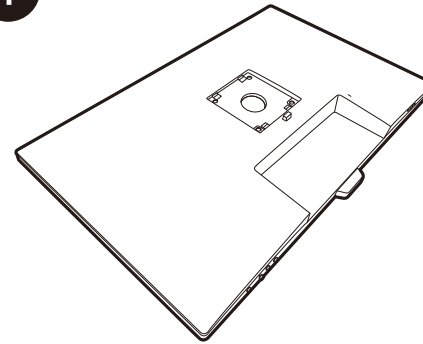
Base cover GC01  
(optional accessory)



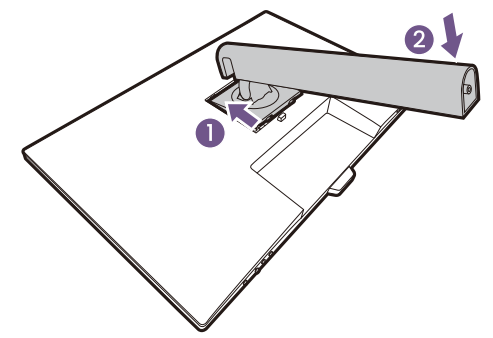
P/N: 4J.XXXXX.XXX

## Setup

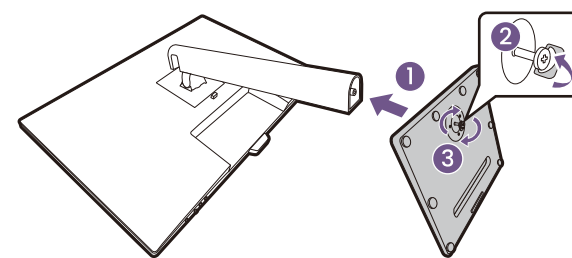
1



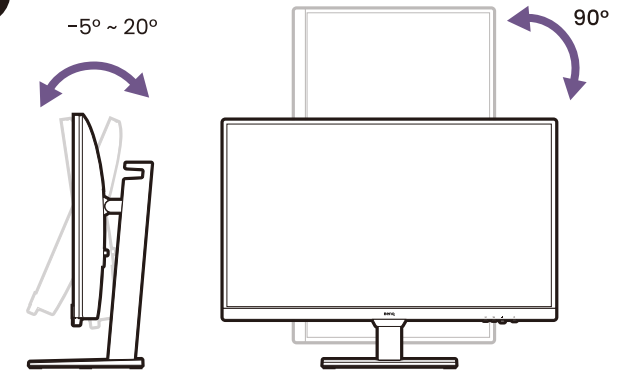
2



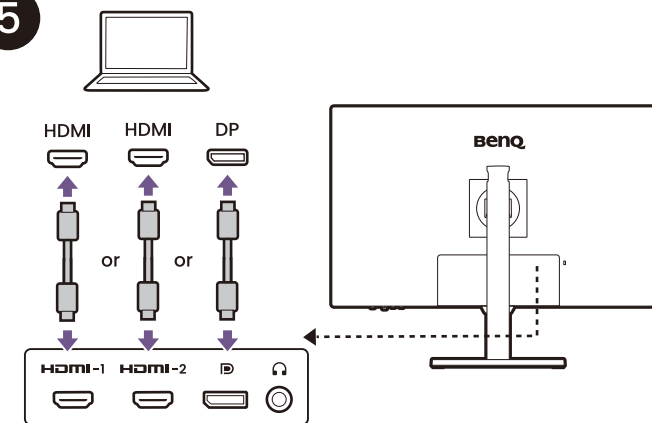
3



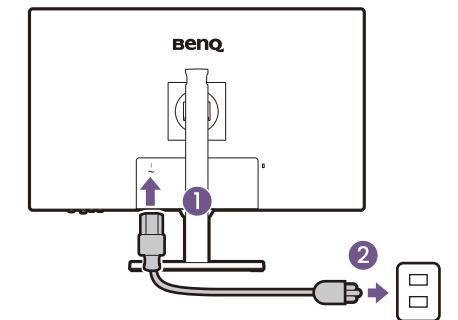
4



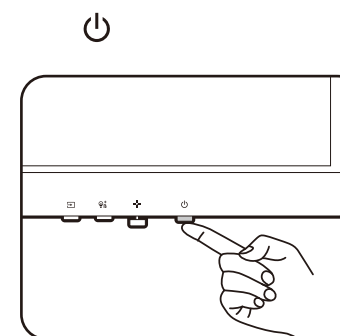
5



6



7





## Installing software

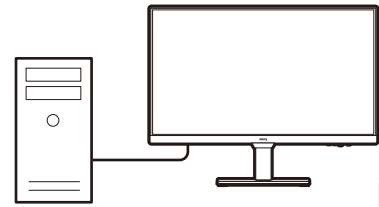
Eye-CareU: eye care software

Support.BenQ.com

Eye-CareU



Eye-CareU

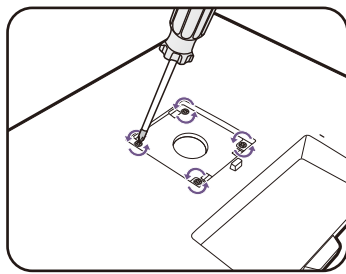


Eye-CareU

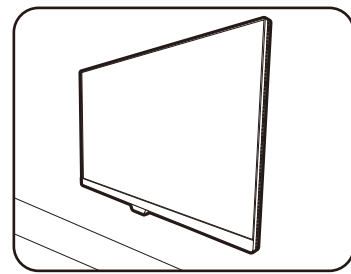


## VESA mounting

1



2



Support.BenQ.com



Warranty Information



Online Manual



Product Support



Software Download



0-40°C 10-90% 0-3000m



-20-60°C 10-60% 0-12000m



HIGH-DEFINITION MULTIMEDIA INTERFACE

(For models with HDMI inputs)